

# ROOF DRAIN

## 868 series

### SPECIFICATION

Sioux Chief 868 series roof drain shall be used where necessary in drainage systems. Drain shall have U.V. resistant polyethylene, or epoxy-coated aluminum dome strainer, and epoxy-coated aluminum gravel guard/flashing clamp. Drain body shall have a Sch. 40 hub connection. Connection to drainage system shall be made with solvent weld joint to ABS or PVC pipe. Designed in accordance with ASME A112.6.4-2003

### MATERIALS

*dome strainer:* polyethylene, epoxy-coated aluminum  
*gravel guard/flashing clamp:* epoxy-coated aluminum  
*drain body:* ABS, PVC

### STRAINER FREE-AREA

49.65 in<sup>2</sup>

### CONNECTION TYPE

Sch. 40 hub

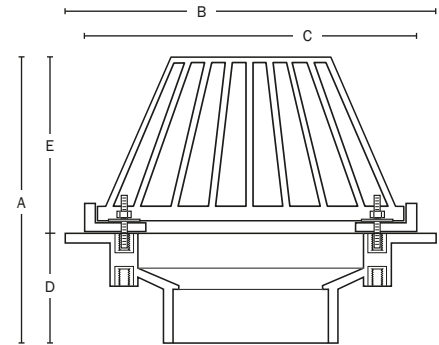
### DIMENSIONS

A: overall height	8 3/8"
B: overall diameter	11"
C: collar/clamp diameter	10 1/4"
D: body height	3 3/8"
E: elevation	5 1/4"

Item # Submitted	_____
Job Name	_____
Location	_____
Engineer	_____
Contractor	_____
PO#	_____ TAG _____



868-P4M



Create Item Number

## 868-ABC

e.g. 868-P4MUS = Roof drain with 4" PVC hub connection, aluminum dome strainer, underdeck clamp kit, and sump receiver

<b>A</b>	<b>CONNECTION TYPE</b>	<b>C</b>	<b>OPTIONS</b>	<b>ACCESSORIES</b>
<input type="checkbox"/> A	ABS Sch. 40 Hub	<input type="checkbox"/> M	epoxy-coated aluminum dome strainer <sup>1</sup>	<input type="checkbox"/> 868-MC Epoxy-coated aluminum gravel guard/flashing clamp
<input type="checkbox"/> P	PVC Sch. 40 Hub	<input type="checkbox"/> V	vandal-resistant dome screws	<input type="checkbox"/> 868-WD Epoxy-coated aluminum 2 3/16" external water dam
<b>B</b>	<b>CONNECTION SIZE</b>	<input type="checkbox"/> W	2 3/16" external water dam	<input type="checkbox"/> 868-C Underdeck clamp kit
<input type="checkbox"/> 3	3"	<input type="checkbox"/> P	screen-wrap for dome strainer	<input type="checkbox"/> 868-E Extension collar kit
<input type="checkbox"/> 4	4"	<input type="checkbox"/> STP2	2" internal stand-pipe	<input type="checkbox"/> 868-S Sump receiver
<input type="checkbox"/> 6	6"	<input type="checkbox"/> U	underdeck clamp kit	
		<input type="checkbox"/> E	extension collar kit	
		<input type="checkbox"/> S	16" diameter sump receiver	

<sup>1</sup> Poly dome strainer is standard unless otherwise specified